

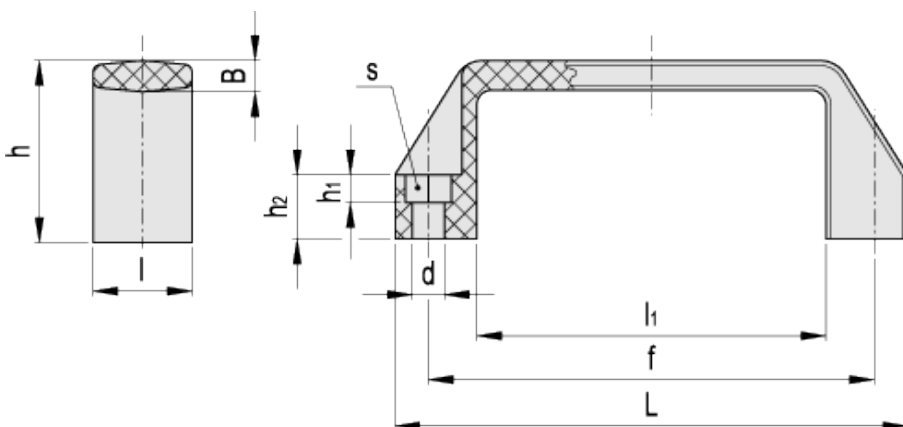
# M.443 EH



Handles



ELESA Original design



## technical informations

### Material

Glass-fibre reinforced polyamide based (PA) technopolymer. Resistant to solvents, oils, greases and other chemical agents.

### Colour

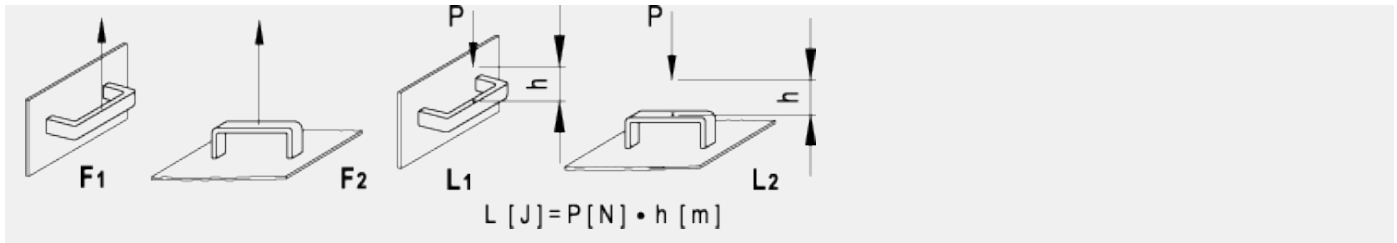
Black, matte finish.

### Standard execution

Pass-through holes for cylindrical-head screws with hexagon socket, hexagonal-head screws or standard lock nuts.

### Technical data

Tensile stress and impact strength: F1, F2, L1 and L2 values reported in the table are the result of breaking tests carried out with the appropriate dynamometric equipment under the test conditions shown in the figure with ambient temperature.



Standard Elements		Main dimensions						Mounting holes				F <sub>1</sub>	F <sub>2</sub>	L <sub>1</sub>	L <sub>2</sub>	Weight
Code	Description	L	f	h	B	l	l <sub>1</sub>	d	s	h <sub>1</sub>	h <sub>2</sub>	[N]	[N]	[J]	[J]	g
37037	M.443/110-EH-5	109	93.5±0.5	38	6	21	74	5.5	8	6	13	3500	2500	15	8	27
37137	M.443/140-EH-6	137	117±1	41	7	26	93	6.5	10	6	15	4500	2500	20	13	44
37141	M.443/145-EH-6	142	122±1	41	7	26	100	6.5	10	6.5	15	3700	2500	25	14	45
37189	M.443/170-EH-6	160	140±1	46	7	27	113	6.5	10	6.5	16	3400	2600	27	20	51
37198	M.443/180-EH-6	172	150±1	47	7	27	125	6.5	10	6.5	17	3000	2600	27	15	54
37249	M.443/190-EH-6	179	160±1	50	7	28	132	6.5	10	6.5	17	3300	2700	29	20	57



ELESA and GANTER models all rights reserved in accordance with the law. Always mention the source when reproducing our drawings.

STANDARD MACHINE ELEMENTS WORLDWIDE